

目录

1 适用范围 Scope	2
2 术语 Glossary	2
4 安规认证 Agency Approvals	2
5 技术参数 Specifications	3
6 结构尺寸 Structure and Dimension	4
6.1 应用示意图 Application Schematic	5

台基防雷

1 适用范围 Scope

EZ10MG277M-(G)-TBLR. 适用于 90V-305VAC, 交流电系统。

防电涌等级: EN 61643-11 : 2012+A11

复合冲击波(Uoc/lcw) · 10kV/5kA;

标称放电电流, 5kA (In, 8/20us)/最大放电电流 10kA(Imax, 8/20μs);

IEC 61000-4-5 :

安装于受试设备后 · 复合波冲击波(Uoc/lcw) · 10kV/5kA; L-N 差模 2 ohms · L-G/N-G 共模 12 ohms。

外壳防护等级: IP68 ;使用耐高温防火外壳。

EZ10MG277M-(G)-TBLR are apply to 90V~305VAC power system.

Surge protection level: EN 61643-11 : 2012+A11

Combination impulse wave, 10kV/5kA;

Nominal discharge current, 5kA (In, 8/20us)/Maximum discharge current, 10kA (Imax, 8/20us);

IEC 61000-4-5: After installed in EUT, combination impulse wave, 10kV/5kA; L-N differential mode 2 ohms · L-G/N-G common mode 12 ohms.

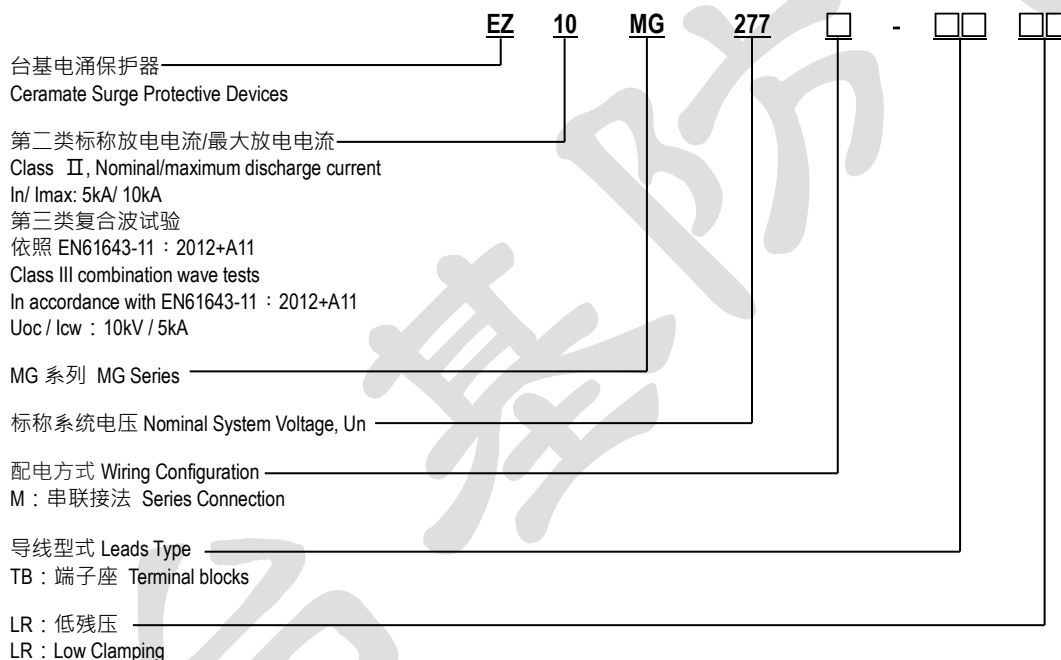
Degree of protection provided by the enclosure : IP68 ; Using high temperature resistant and flameproof enclosure.

2 术语 Glossary

参考标准 Reference Standards

IEC 61643-11:2011, EN61643-11 : 2012+A11, GB/T 18802.11-2020, UL1449 5th ed.: 2022.

3 型号说明 Part Number System



4 安规认证 Agency Approvals

认证机构 Agency		标准 Standards	认证号 File NO.	类别 Category	执行标准 Designed to Standards
	TUV	低压指令 Low Voltage Directive 2014/35/EU	AN50608452	附录 I Annex I	<ul style="list-style-type: none"> ● GB/T18802.11-2020 ● UL 1449 5th Ed : 2022 ● IEC 61643-11 : 2011 ● EN 61643-11 : 2012+A11 ● IEC 61000-4-5 : 2014 ● IEEE C62.41.2-2002
	TUV	EN 61643-11 : 2012+A11	R 50608446	II类与III类 Class II and III	

5 技术参数 Specifications

产品型号 Product Model	EZ10MG277M-TBLR		EZ10MG277M-G-TBLR
温湿度范围 Temperature and Humidity Range	温度 Temperature, EZ10MG277M-(G)-TB-LR : -40°C至 125°C 湿度 Humidity : 5%~95% RH		
端口数量 Number of Ports	一端口,输入/输出 one port, input/output		
配电系统 Power Distribution System	TN		
标称系统电压范围 Nominal System Voltage Range, Un	90~305VAC		
最大连续工作电压 Maximum Continuous Operating Voltage, Uc	320VAC		
工作频率 Working Frequency	50/60 Hz		
复合冲击波, EN 61643-11 : 2012+A11 Combination Impulse Wave Uoc (1.2 / 50 us)/Icw (8 / 20 us) 备注 1 Note 1	10kV / 5kA		
标称放电电流 Nominal Discharge Current, In (8/20us, kA)	5kA		
最大放电电流 Maximum Discharge current, Imax (8/20us, kA)	10kA		
电压保护水平 Voltage Protection Level , Up (V)	L-N 電壓持續時間 Voltage Continuous Times	1000V 1μs	1000V 1μs
	L-G	-	1500V
	N-G	-	1500V
安全失效模式 Safe Failure Mode	开路模式 Open Circuit Mode (OCM)		
暂态过电压特性, 低压系统故障 Temporary Overvoltage (TOV) Characteristic, LV-system Faults	1) 335 Vac, 5 秒, 耐受模式 5 sec, withstand mode 2) 440 Vac, 120 分钟, 耐受或安全失效模式 120min, withstand mode or safe failure mod		
预期短路电流 Prospective Short-circuit Current, Isccr (A)	300		
脱离器动作指示 Indication of Disconnecter Operation	LED 指示灯由亮变灭, AC 电源断开. LED 常态有保护时亮. LED indicator from light on to light off, and AC network cut-off. Under protected LED normally on.		
外壳防护等级 Ingress Protection Level	IP68 (2M)		
额定断开续流值 Follow current Interrupting Rating	320V/100A		

备注 1: 电涌保护器安装于受试设备后,
依照 EN 61643-11 : 2012+A11, III类,
或依照 IEC 61000-4-5 : 2014

- 测试波形: 复合波;
- 同一只产品同时满足.

差模: L-N, 10kV/5kA, 2 ohm
共模: L-G / N-G, 10 kV / 833 A, 12 ohm

- 浪涌次数(对各耦合路径): 应分别在 0°, 90°, 180° 与 270°
相角施加正、负极性各 5 次;
- 连续脉冲间的时间间隔: 1 分钟或更短;
- 耦合阻抗: 差模 18 μF · 共模 9 μF + 10 Ω.

Note 1: After installed SPD in EUT,
in according to EN 61643-11 : 2012+A11, class III,
or in according to IEC 61000-4-5 : 2014

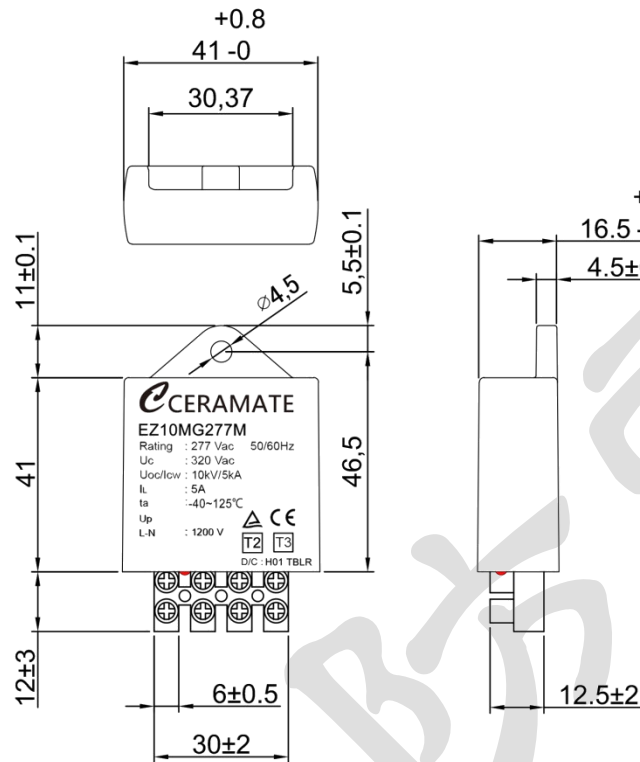
- test waveform: combination wave;
- the same sample be satisfied to .

Differential mode : L-N, 10kV/5kA, 2 ohm
Common mode : L-G / N-G, 10 kV / 833 A, 12ohm

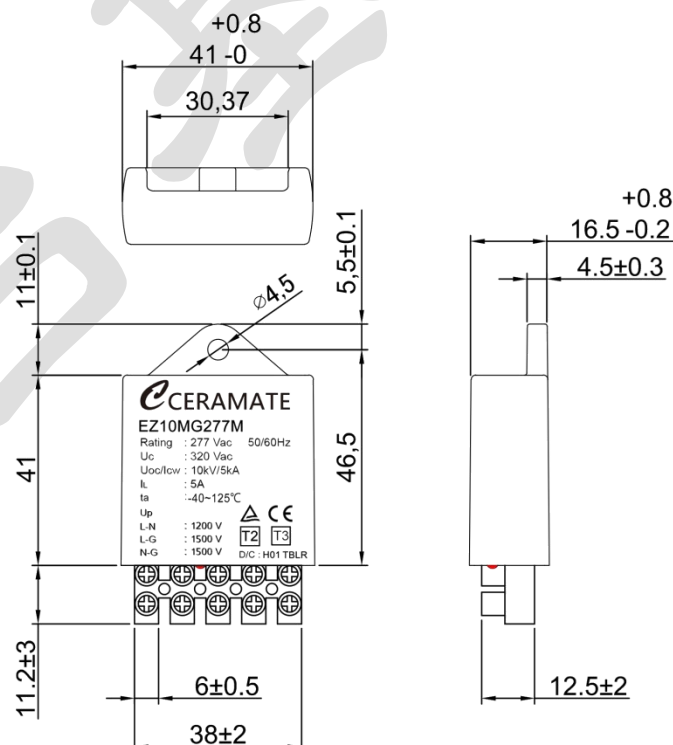
- number of impulses (for each coupling path): five positive and five
negative impulses each at 0°, 90°, 180° and at 270°;
- time between successive impulses: 1 min or less;
- coupling impedance: differential mode 18 μF, common mode 9 μF + 10 Ω.

6 结构尺寸 Structure and Dimension

EZ10MG277M-TBLR

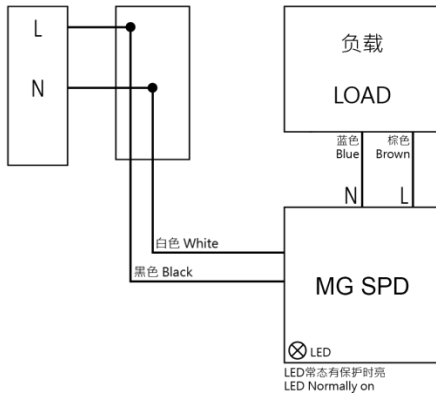


EZ10MG277M-G-TBLR

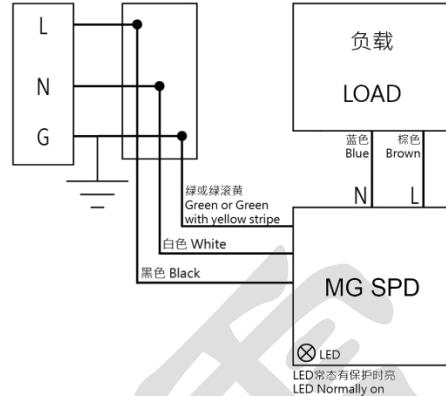


6.1 应用示意图 Application Schematic

串联接法 Series Connection 无对地 Without Ground
EZ10MG277M-TBLR



串联接法 Series Connection 有对地 With Ground
EZ10MG277M-G-TBLR



台基防雷